

EUOTA: EUROPEAN GUARANTEE OF SECURITY, LEGALITY AND TRUST

What is EUOTA?

The **European Ozone Trade Association (EUOTA)** brings together European manufacturers who work with the **European Chemicals Agency (ECHA)** to ensure the safe and regulated use of ozone as a biocide.

Thanks to EUOTA, member manufacturers can market **legal, safe and certified traceable equipment**.

<p>Member of EUOTA</p> <p>It is necessary to be an official member of the European Ozone Association.</p>	<p>Access letter</p> <p>It is necessary to have a letter of access (LOA) to the ozone technical dossier.</p>	<p>CE Certification</p> <p>Our products have CE certification and valid health registrations.</p>	<p>Security assessments</p> <p>Efficacy and safety assessments are supervised by European authorities.</p>
--	---	--	---

Spanish organizations that support EUOTA products

- **Spanish Agency for Medicines and Health Products (AEMPS):** supervises and approves biocides.
- **Ministry of Health:** regulates safety and usage criteria.
- **Autonomous Communities*:** manage official biocide registries.
- **National Accreditation Entity (ENAC):** guarantees the validity of tests and certifications.

These organizations recognize products developed within the **EUOTA framework + national health authorization**, ensuring **full compliance with European and Spanish legislation**.

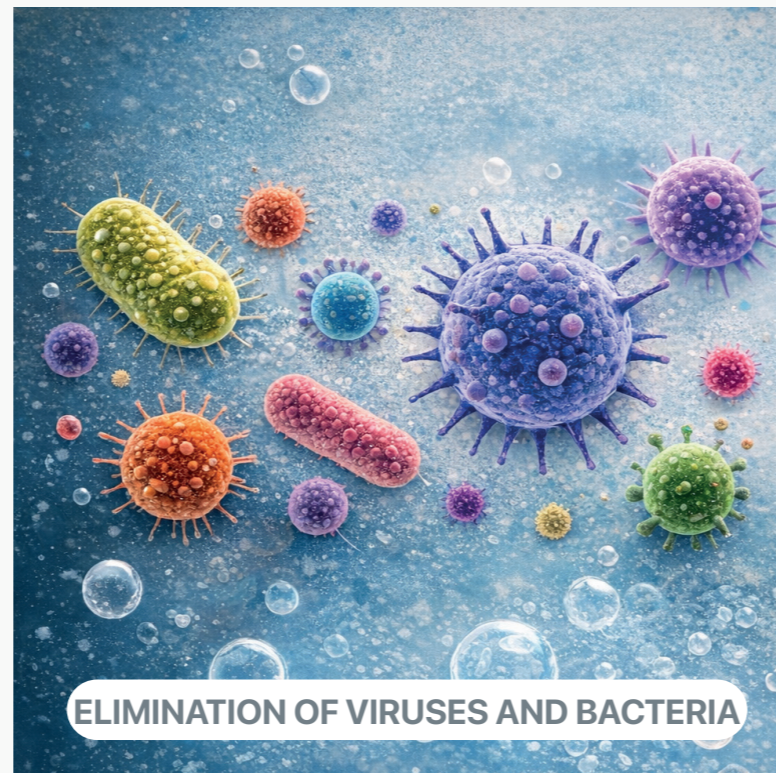
Warranty	Meaning
Health safety	Ozone levels within safe EU limits.
Legality	Compliance with BPR regulations and national registries.
Transparency	Documentation verifiable before Health and ECHA.
Trust	Audited and traceable manufacturing throughout the EU.



Note: The ozone generators sold by Osmofilter comply with the European regulatory framework (BPR) and national health regulations through the authorized registration of their manufacturer, Depuranova S.L.U.



WASH CLOTHES WITHOUT CHEMICALS



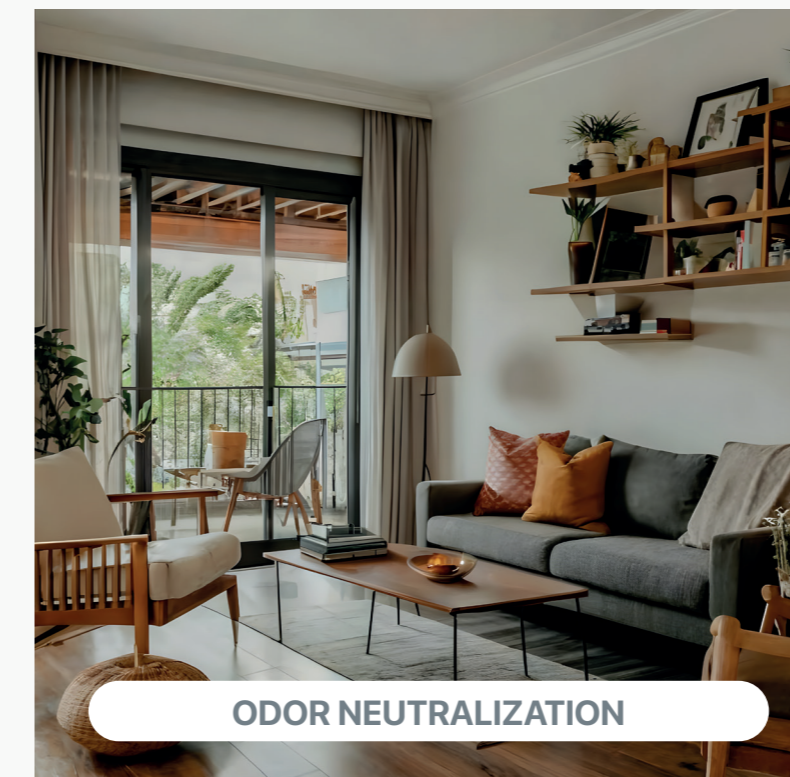
ELIMINATION OF VIRUSES AND BACTERIA



CHEMICAL-FREE CLEANING



BENEFICIAL FOR SENSITIVE SKIN



ODOR NEUTRALIZATION



DISINFECTS ANY SURFACE

THE ULTIMATE SOLUTION FOR CLEANING AND DISINFECTION

Oxi Home Oxygen Plus is an ozone generator that offers safe and effective treatment for washing clothes and disinfecting surfaces. It combines robustness, efficiency, and durability in a single unit.



Stainless steel body:
Maximum durability



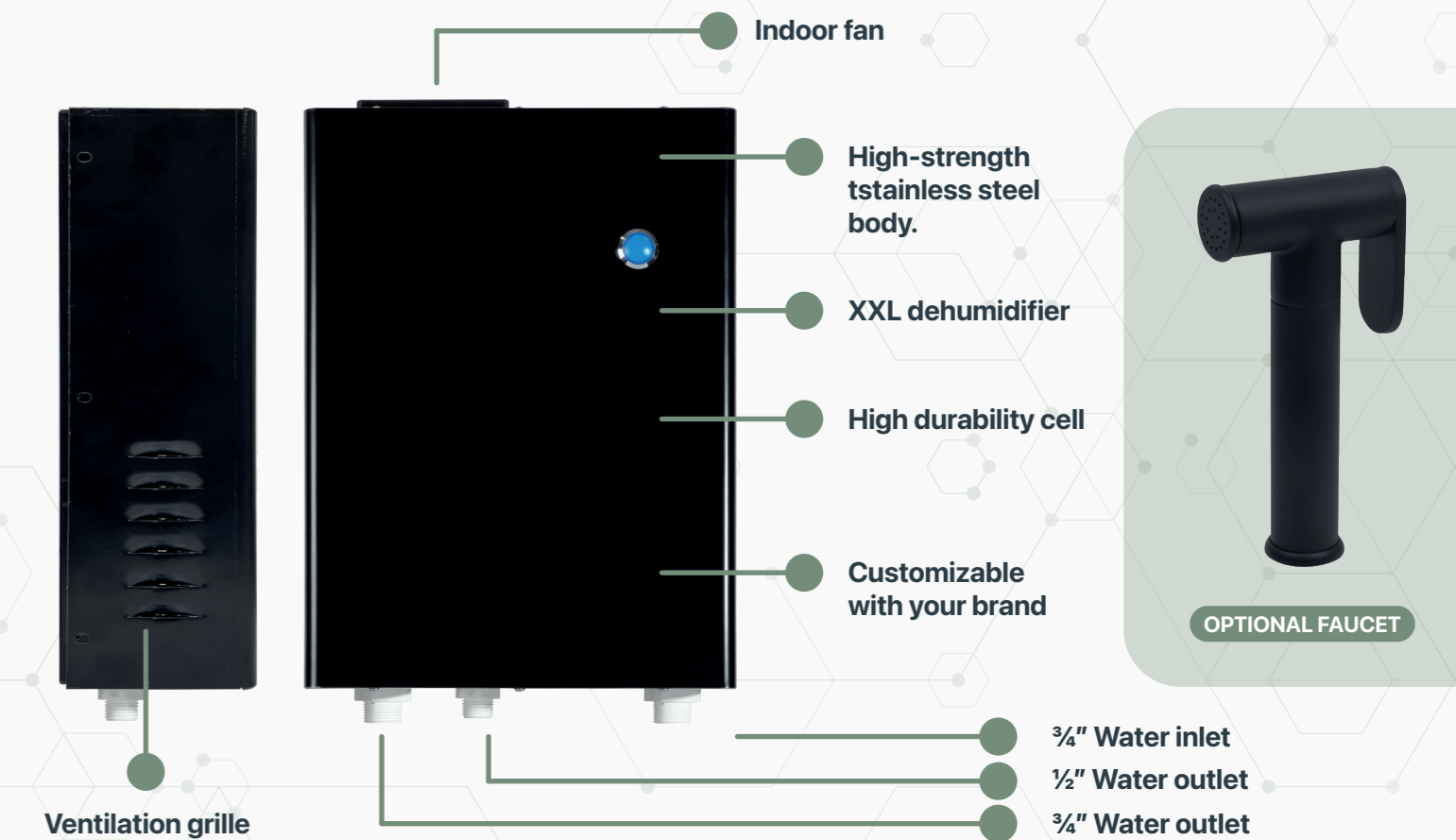
Integrated fan:
Extends lifespan



XXL dehumidifier:
Longer lasting, less maintenance

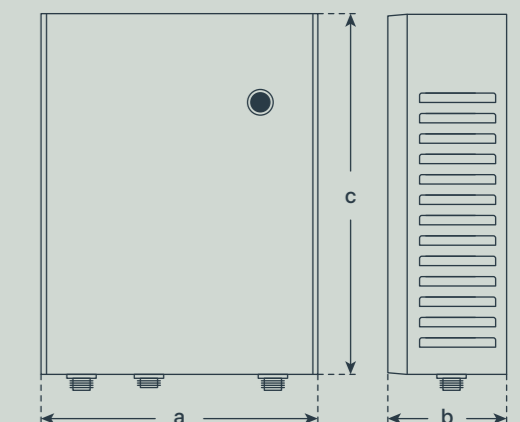


Versatility: Suitable for semi-industrial and domestic use

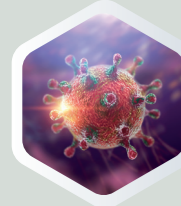


Technical data

- Electrical input: AC 100-240V / 50-60Hz
- Power: ≤55W
- Inlet connection: 3/4"
- Outlet connection 1: 3/4"
- Outlet connection 2: 1/2"
- Ozone concentration: 0.2~1.5 mg/L
- Water flow rate: 4 - 7 LPM
- Required water pressure: 0.15 - 0.70 MPa
- Water temperature: Use only cold water
- Internal cooling
- 304 stainless steel housing
- Equipment dimensions:
a. 270 mm | b. 120 mm | c. 360 mm
- Equipment weight: 5 kg



ADVANTAGES OF USING OZONE



Elimination of viruses and bacteria from water



Save money every year, without cleaning products



Protect the environment



Disinfects any surface



Easy installation



Avoid allergic reactions



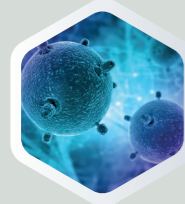
Removes organic residue from clothes



Remove cleaning products



Odor elimination



It leaves no chemical residue.



Extend the life of your clothes



It only requires cold water

FREQUENTLY ASKED QUESTIONS ABOUT OZONE

Should I use detergent?

One of the great benefits of Oxi Home Oxygen Plus is that you can reduce or stop using detergents loaded with chemicals.

Is it necessary to pretreat stains?

No, only tough stains need pretreatment before cleaning with Oxi Home Oxygen Plus. Just like when washing with regular detergent.

Should I use hot or cold water?

Oxi Home Oxygen Plus is only used with cold water. Ozone dissipates with hot water. Furthermore, washing with hot water is more expensive and harmful to the environment because it consumes a lot of energy to heat it.

Is it safe to use ozone as a household cleaning and disinfecting product?

Yes, using ozonated water at home is safe as long as the manufacturer's instructions are followed. Our equipment has health registration endorsed by the EUOTA (European Ozone Trade Association), an organization that supports compliance with European regulations and guarantees safety and effectiveness in domestic cleaning.



OXI HOME OXYGEN PLUS

"Save money with the most powerful disinfectant on the planet"

OXI HOME OXYGEN PLUS